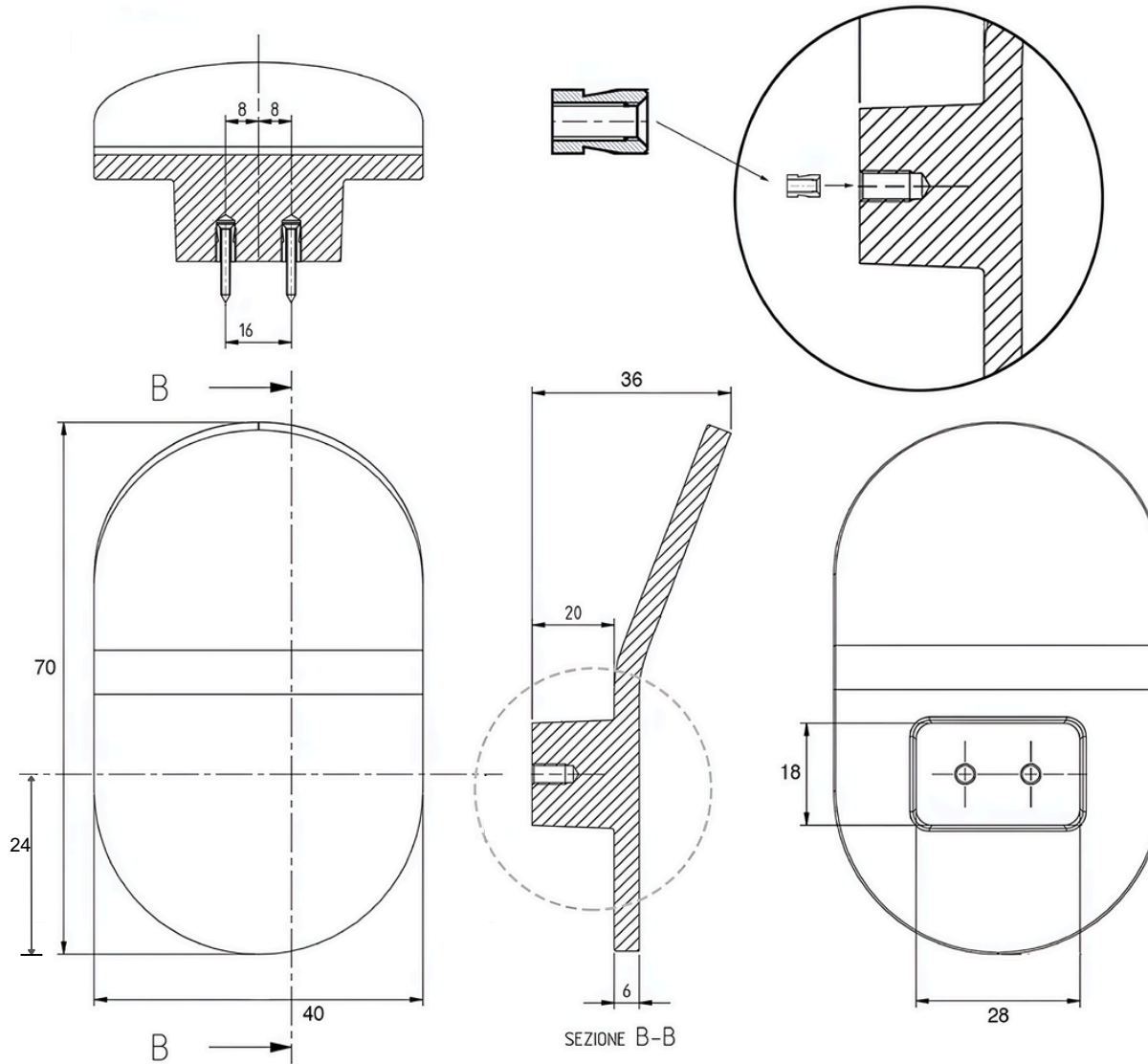


Note: Fixing system S0038-01 must be anchored to the appropriate internal timber/steel stud or solid core door set



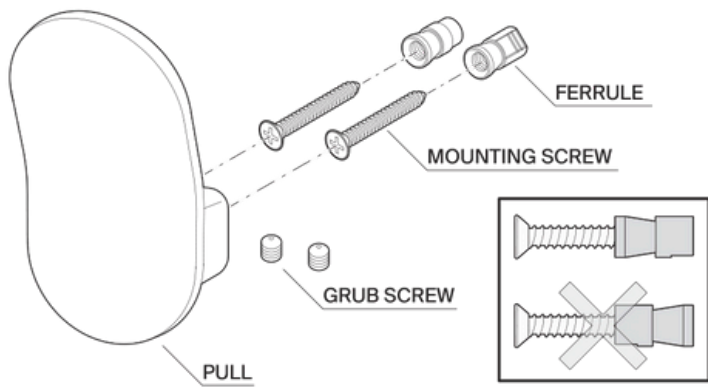
	Scale	Description: <b>Como Joinery Pull</b>	Code <b>RMCK-40</b>
			<b>Pittella</b>
		Material: Brass	
Date		Weight:	

*Designed for use as a joinery pull. Products must be installed with the appropriate fixing system S0038-01 included.*

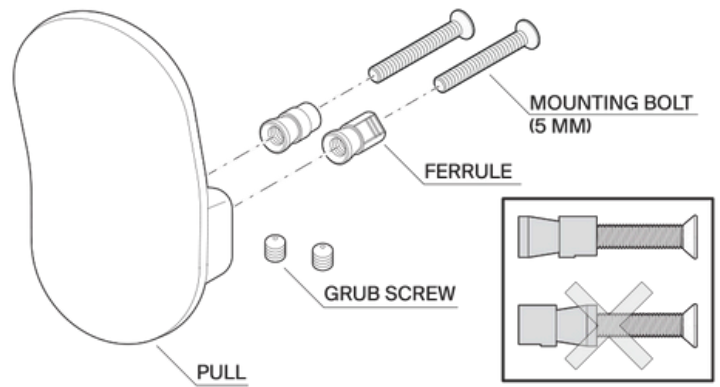
*Style : Contemporary  
Collection : Otto Contemporary  
Material : Brass CW614N  
Design-Family : Maralina*



## Surface Mounted



## Through Fixed



## Back To Back

