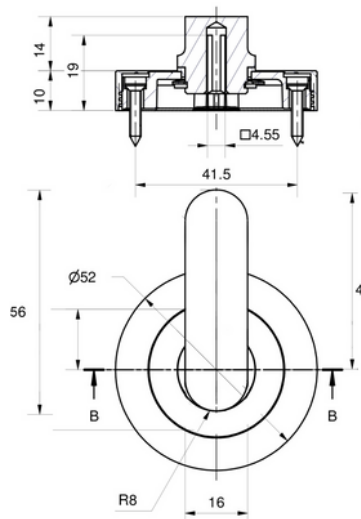
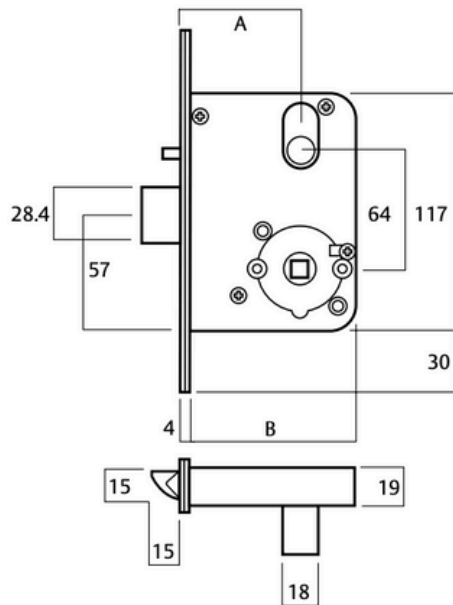
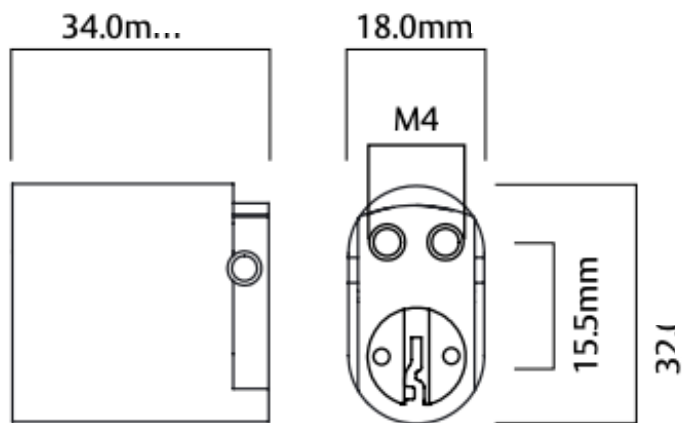


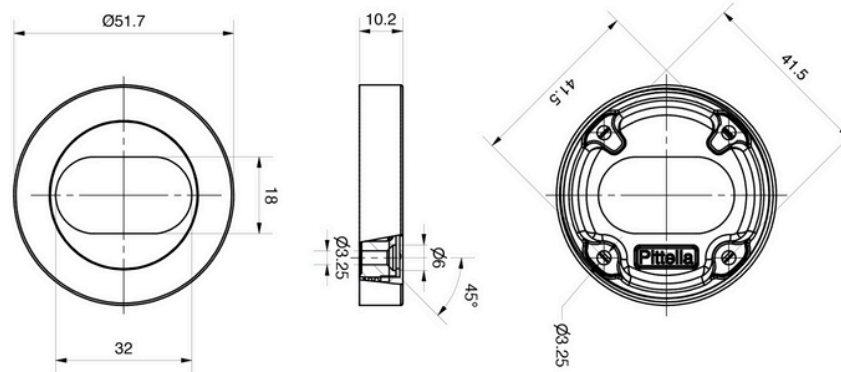
3572



355



570



789-L

	Scale	Description: L/W Mortice Lock Snib KIT	Code 3572CT-KIT
			Pittella
		Material: Brass	
Date		Weight:	