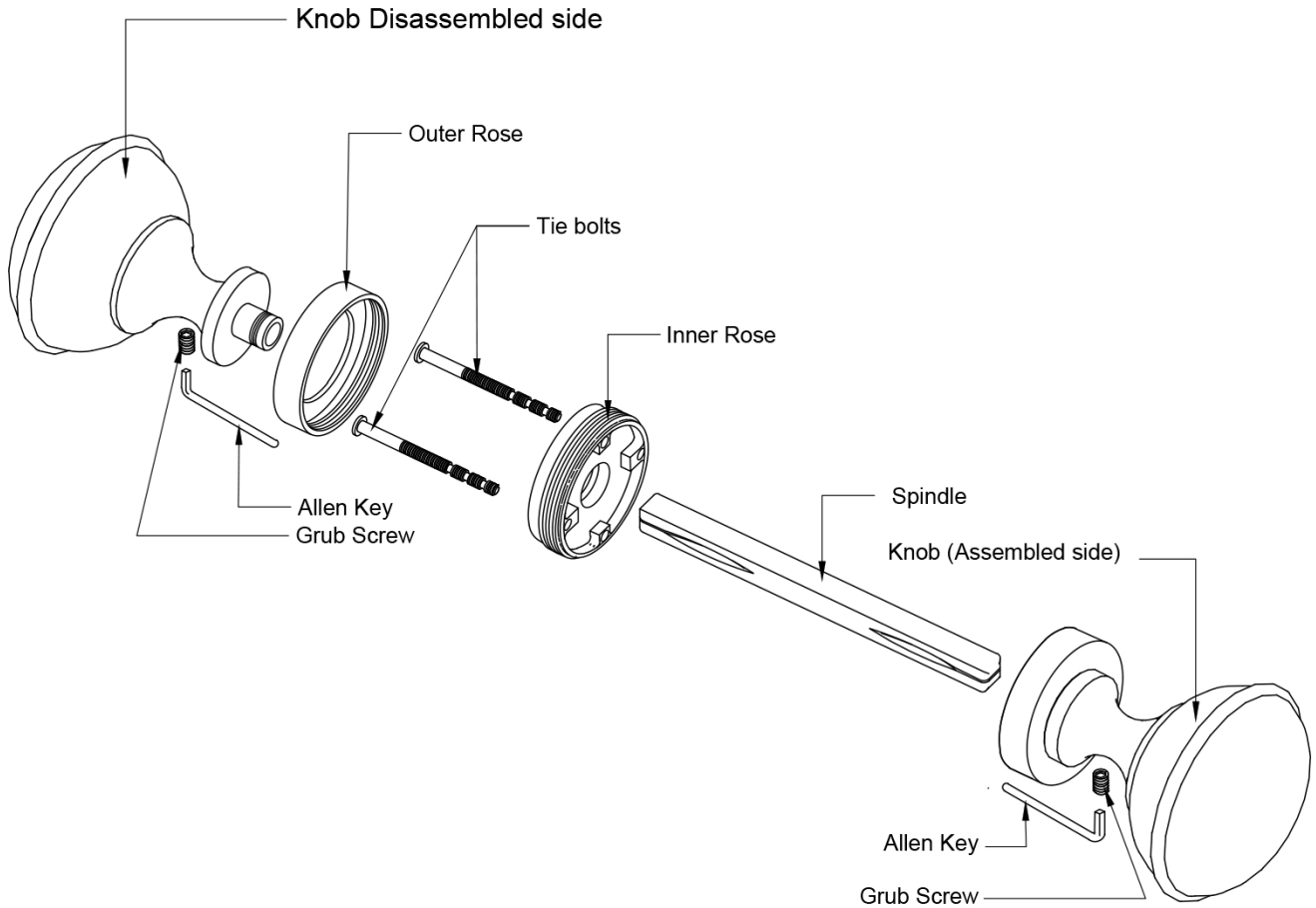


	Scale	Description	Code
		Door Knob	169Q
		Material: Brass	Pittella®
Date	22/03/2022	Weight:	

**Composition:**

This set comprises two operational knobs, each mounted on the distinctive Pittella double ring rose.

The unique design of the 169Q Opal necessitates a precise installation approach. It is essential that one half of the set is mounted unsprung, adhering to the specific guidelines outlined below.



**STEP BY STEP INSTALLATION GUIDE**

1. DRILL A 22MM HOLE IN CENTRE OF DOOR FOR SPINDLE AND LEVER NECK
2. INSERT SPINDLE ORIENTATION - CUT TO FACE INSIDE 90 DEGREE FACING GRUB SCREW
3. THREAD TIE BOLTS INTO SIDE WITH ROSE ONLY AND SCREW TOGETHER
4. SECURE OUTER ROSE ONTO INNER ROSE BOTH SIDES OF THE DOOR
5. ON ROSE ONLY SIDE, PUSH REMAINING 1/2 SET OF DOOR KNOB ONTO SPINDLE ENSURING IT HAS BEEN PUSHED ALL THE WAY IN.
6. SCREW GRUB SCREWS ON INSIDE OF DOOR KNOBS ENSURING ENGAGEMENT WITH SPINDLE