

Mortice locks for wooden doors

REVERSIBILITY OF THE LATCH

- 1° - Turn the lock up-side-down in the vertical position; latch at the bottom (fig. 1).
- 2° - Push the latch inside the front plate (fig. 2).
- 3° - Turn the latch 180° and release it in the new position (fig. 3).

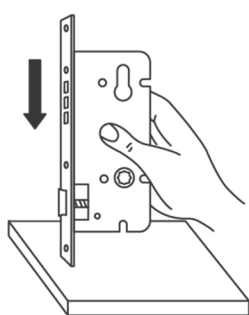


Fig. 1

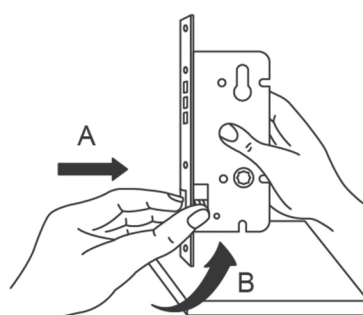


Fig. 2

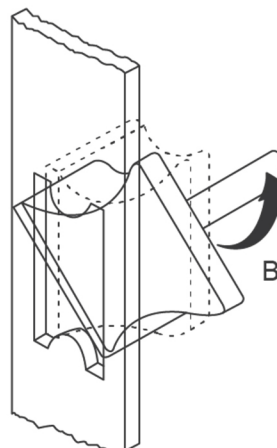
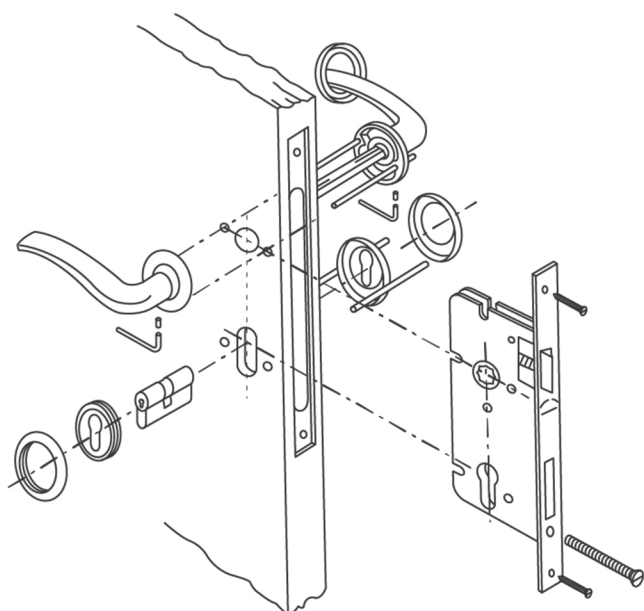


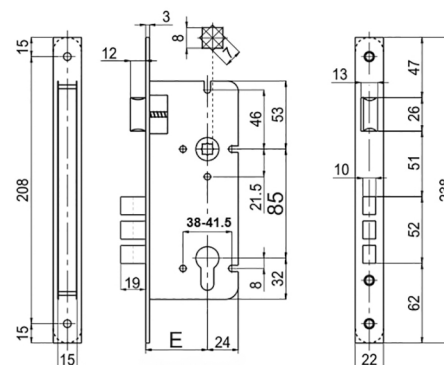
Fig. 3

ALL THE LOCKS ILLUSTRATED IN THIS CATALOGUE ARE, AMONG OTHER THINGS, CONSTRUCTED AND SPECIALLY DESIGNED WITH THROUGH HOLES WHICH, DEPENDING ON THEIR USE, CAN HOUSE HANDLES WITH SECURITY PLATES WHICH ARE SCREWED ON FROM THE INSIDE OF THE DOOR, HANDLES WITH ROSETTES WITH THROUGH HOLES (centre to centre 41.5 mm.), SELVAGES WITH THROUGH SCREWS (centre to centre 41.5 mm.), SECURITY ROSETTES FOR CYLINDER PROTECTION WITH THROUGH SCREWS (centre to centre 41.5 mm.) AND OTHER SECURITY ACCESSORIES.



EXTERNAL

INTERNAL



2	22x3x238	85	50
2	22x3x238	85	60

pittella®

BACKSET (E)

INSTALLATION GUIDE ONLY

LEVER HOLE
Dia 19

Mortice Lock
Art. 852
Art. 852R
Art. 852T

HORIZONTAL \varnothing OF LEVER



\varnothing LOCK AND STRIKE

85

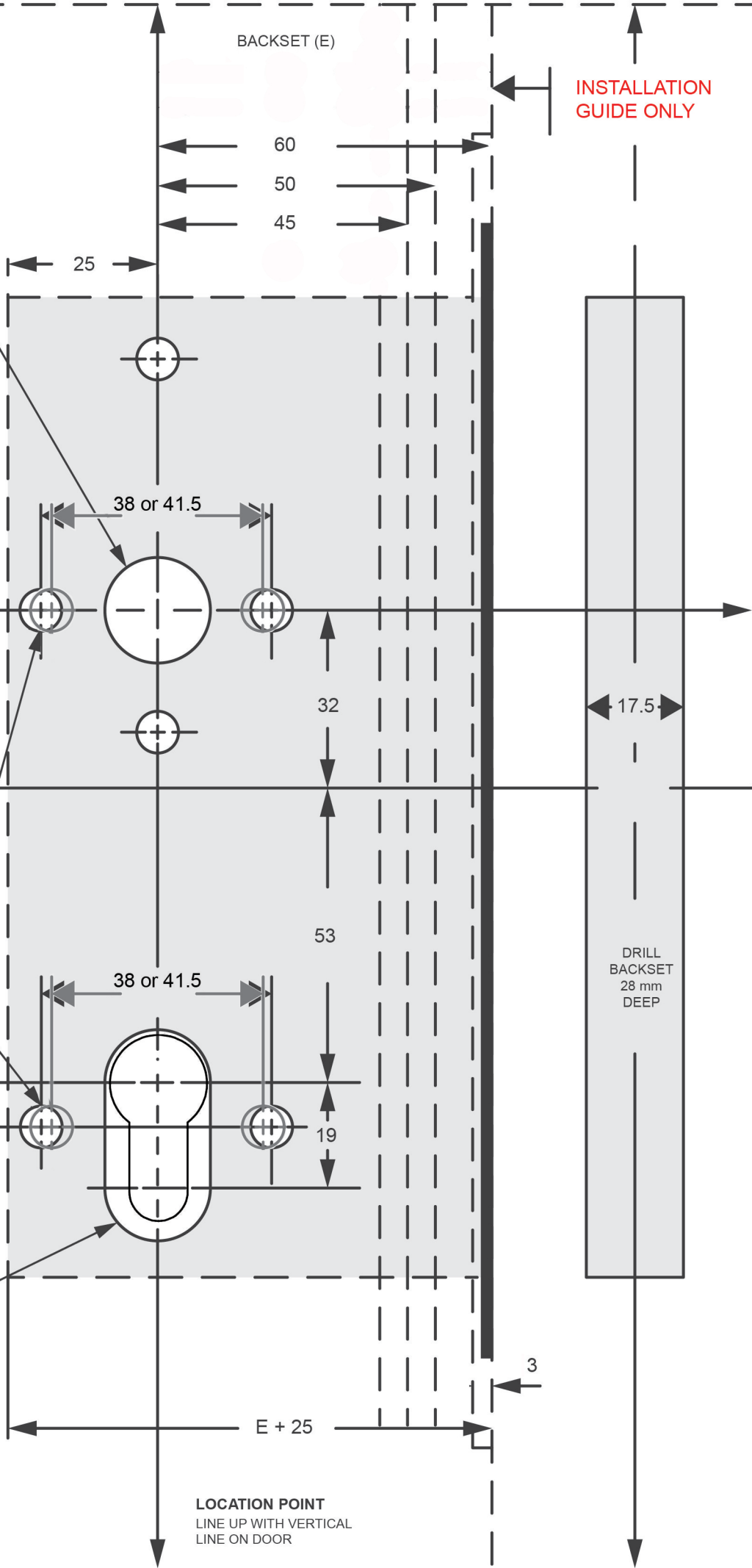
DRILL - DIA 6 - ONLY IF YOU USE
LEVER ROSES OR KEY ROSES WITH
SCREW HOLES AT 38MM OR 41.5MM

\varnothing CYLINDER

8

CYLINDER HOLE
DIA 19 x 19 mm

ALL DIMENSION IN mm



LOCATION POINT
LINE UP WITH VERTICAL
LINE ON DOOR

E + 25

DRILL
BACKSET
28 mm
DEEP

