

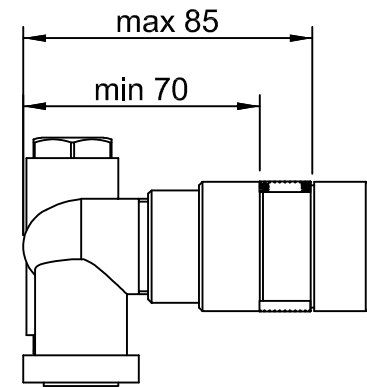
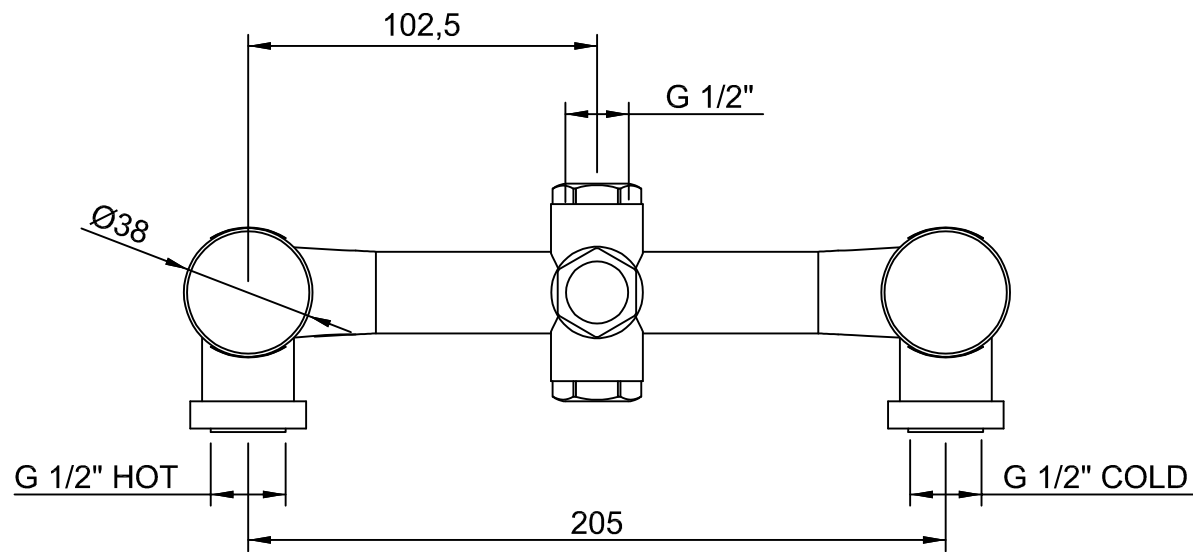
COPYRIGHT (C) PITTELLA PTY LTD ALL RIGHTS RESERVED

CODE ART. RWAU7A85KO\_I01



WM-025445

Pittella® RUBINETTERIE treemme



CODE ART. RWAU7A52ZZ02\_I01



WM-025445

Pittella® RUBINETTERIE treemme