

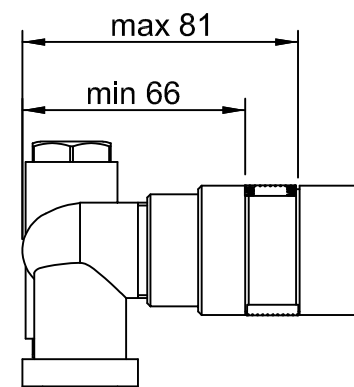
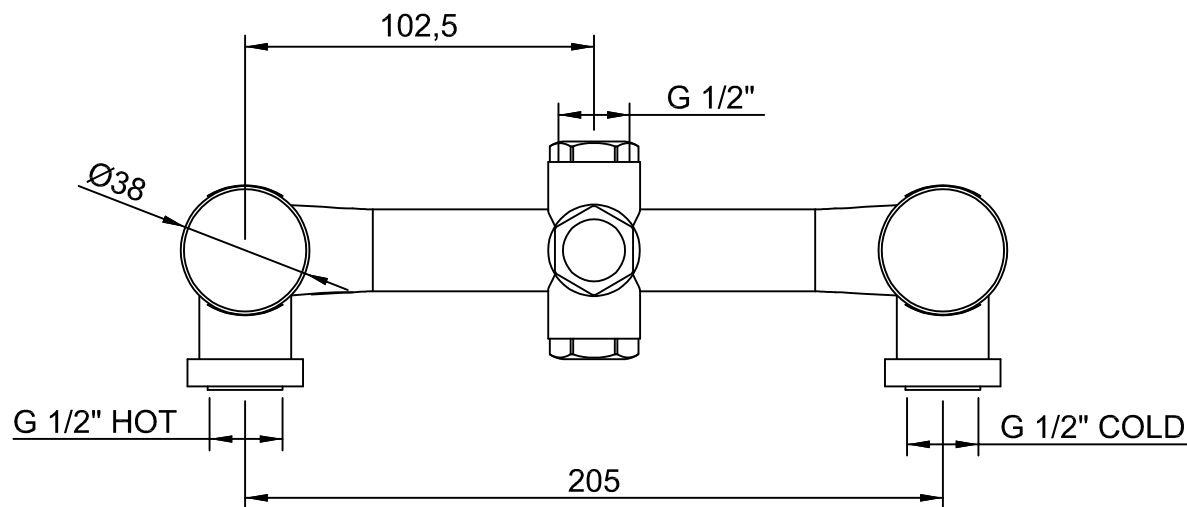
COPYRIGHT (C) PITTELLA PTY LTD ALL RIGHTS RESERVED

CODE ART. RWAU7A85K1_I01



WM-025445

Pittella® **tremme** RUBINETTERIE



COPYRIGHT (C) PITTELLA PTY LTD ALL RIGHTS RESERVED

CODE ART. RWAU7A60ZZ02_I01



WM-025445

Pittella® ^{RUBINETTERIE} treemme