

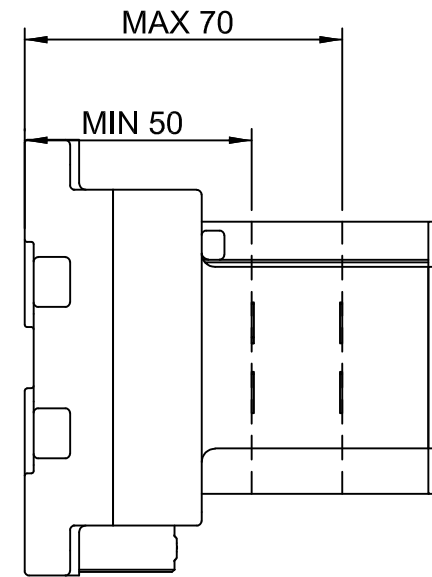
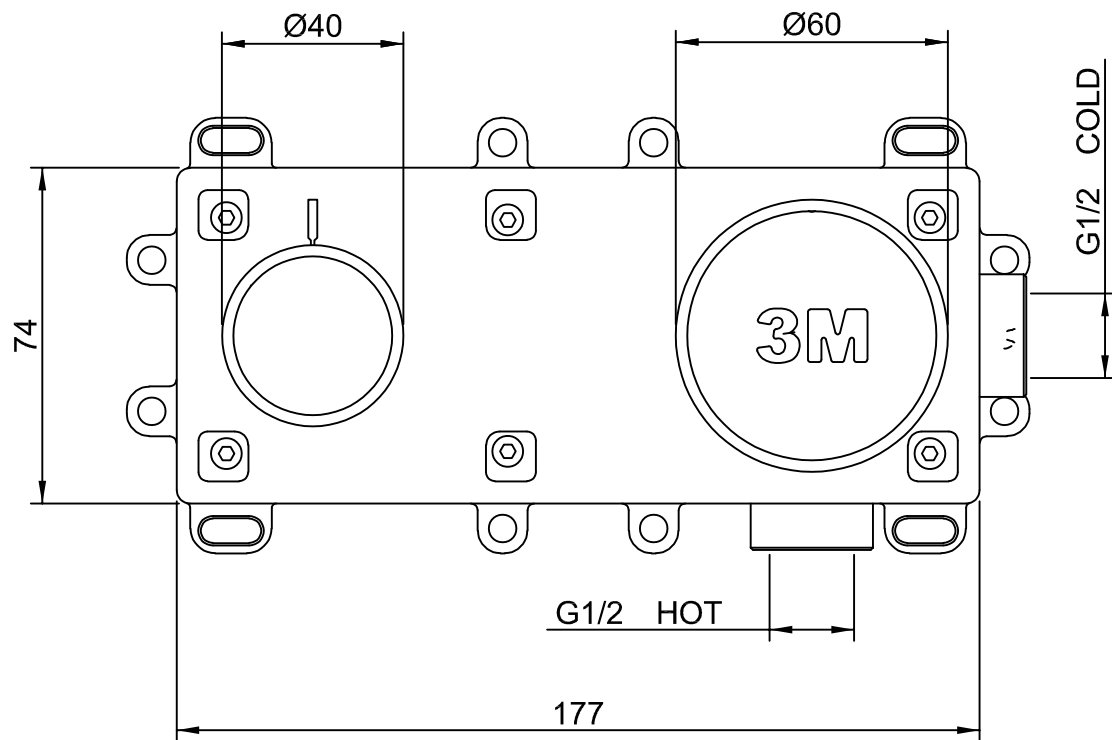
CODE ART. RWAU6BD201\_I01



WM-025445

Pittella® <sup>RUBINETTERIE</sup> treemme

COPYRIGHT (C) PITTELLA PTY LTD ALL RIGHTS RESERVED



CODE ART. RWAU51A5ZZ01\_I01



WM-025445

Pittella® RUBINETTERIE treemme