

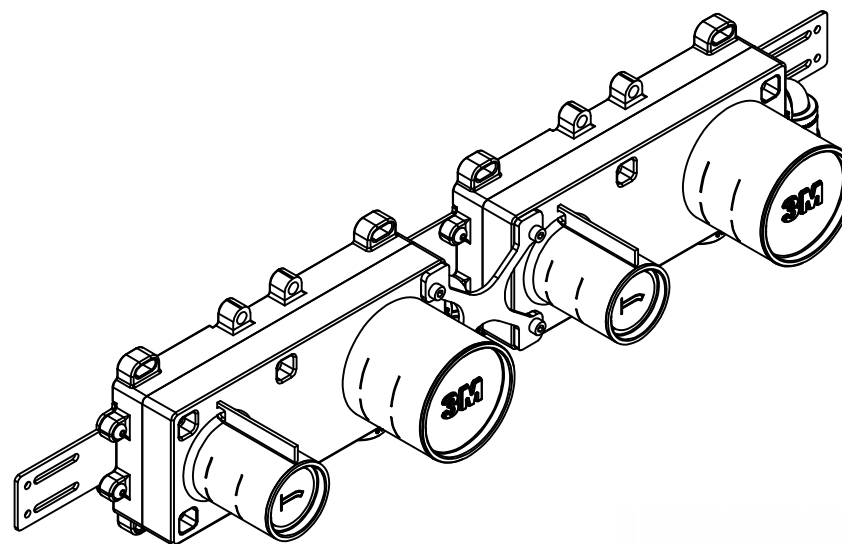
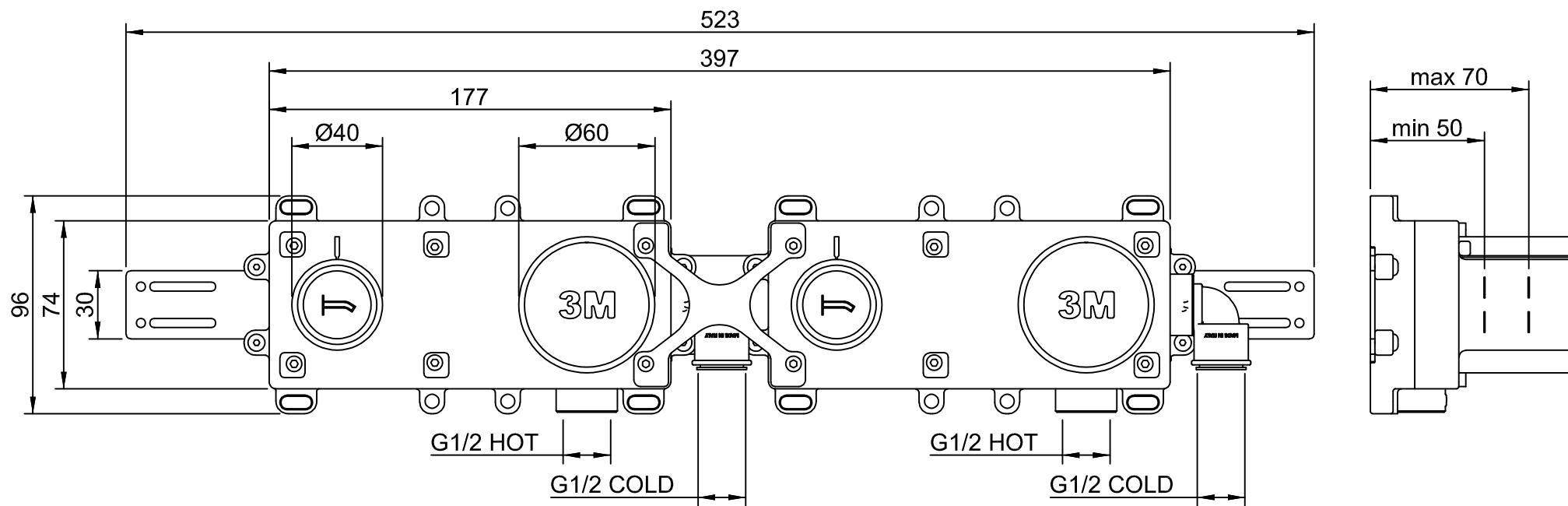
COPYRIGHT (C) PITTELLA PTY LTD ALL RIGHTS RESERVED

CODE ART. RWAU6AD701_I01



WM-025445

Pittella® ^{RUBINETTERIE} treemme



CODE ART. RWAU51D7ZZ12_I01



WM-025445

RUBINETTERIE
Pittella® treemme