

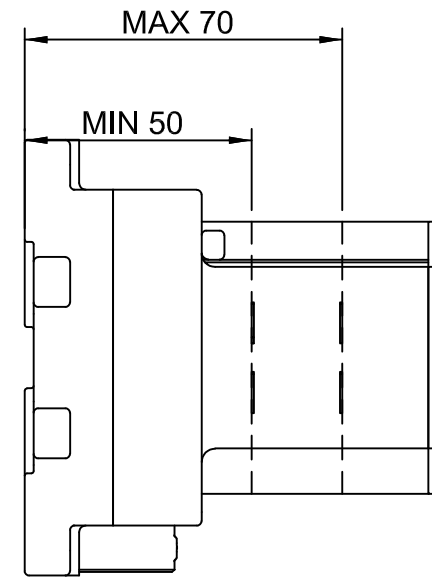
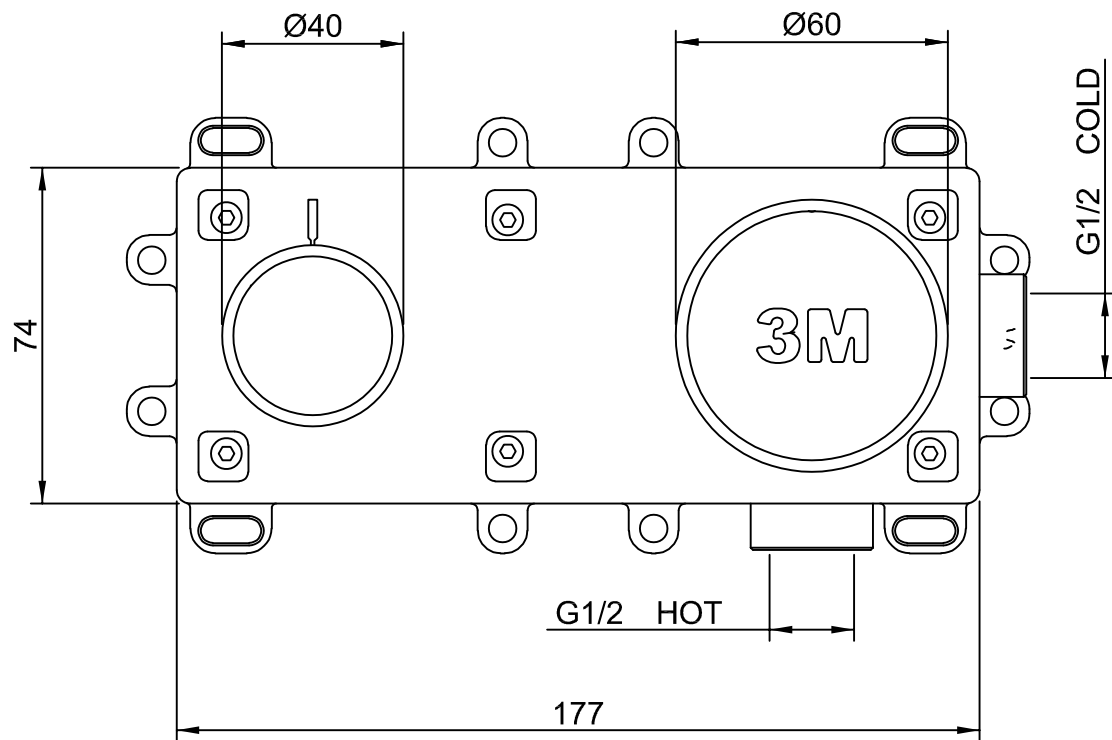
COPYRIGHT (C) PITTELLA PTY LTD ALL RIGHTS RESERVED

CODE ART. RWAU6AC603_I01



WM-025445

Pittella® ^{RUBINETTERIE} treemme



CODE ART. RWAU51A5ZZ01_I01



WM-025445

Pittella® ^{RUBINETTERIE} treemme