

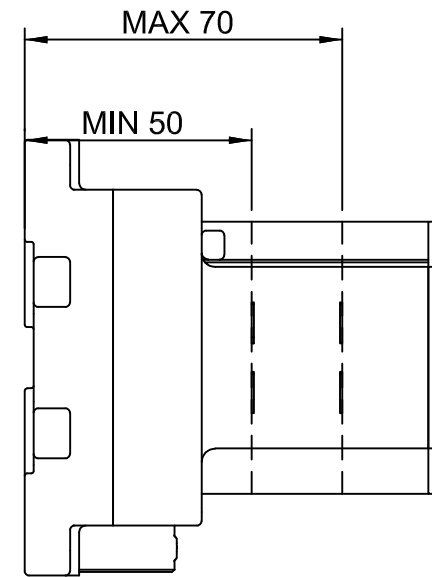
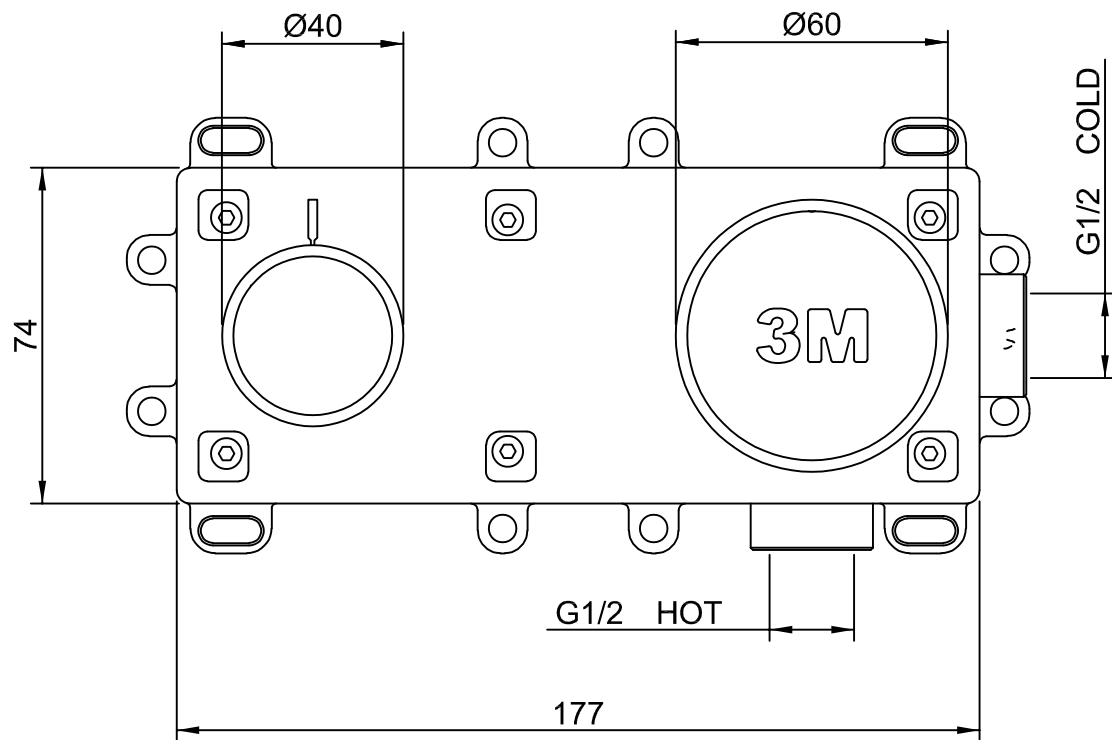
COPYRIGHT (C) PITTELLA PTY LTD ALL RIGHTS RESERVED

CODE ART. RWAU2AC604\_I01



WM-025445

Pittella® <sup>RUBINETTERIE</sup> treemme



CODE ART. RWAU51A5ZZ01\_I01



WM-025445

RUBINETTERIE  
**Pittella® treemme**