

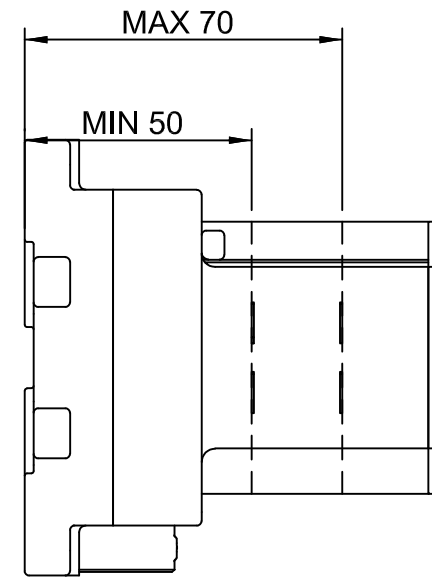
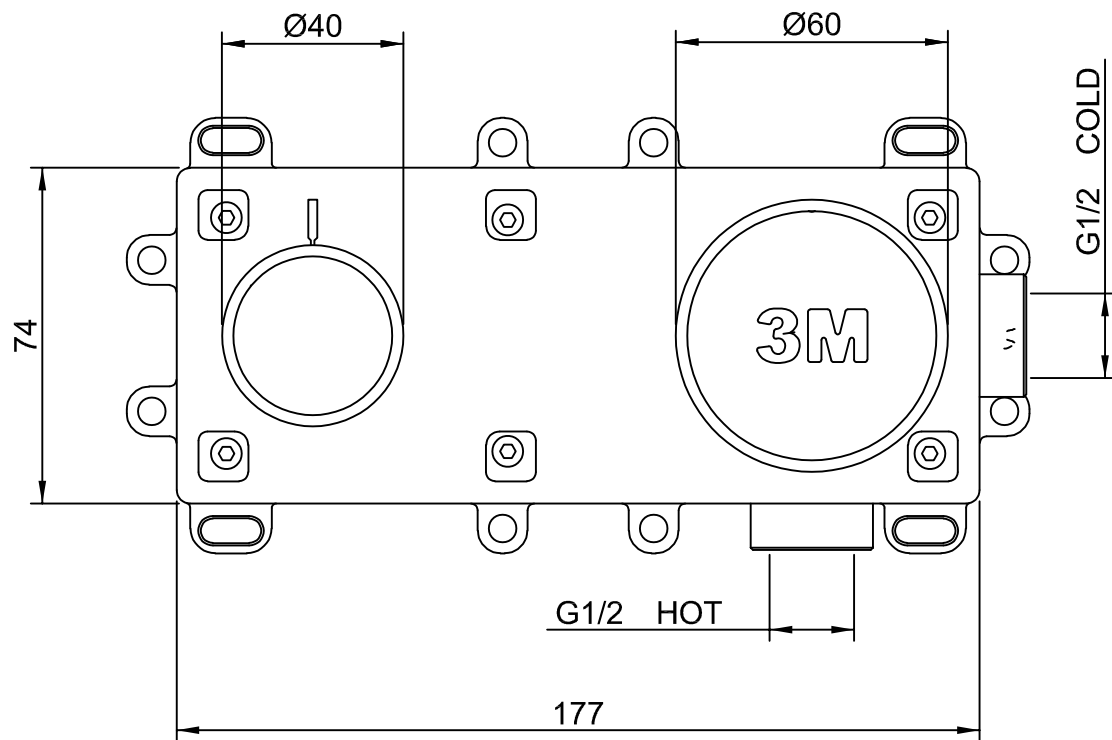
CODE ART. RWAU2AA504_I01



WM-025445

Pittella® ^{RUBINETTERIE} treemme

COPYRIGHT (C) PITTELLA PTY LTD ALL RIGHTS RESERVED



CODE ART. RWAU51A5ZZ01_I01



WM-025445

Pittella® RUBINETTERIE treemme