

CODE ART. RWAU2A0301_I01

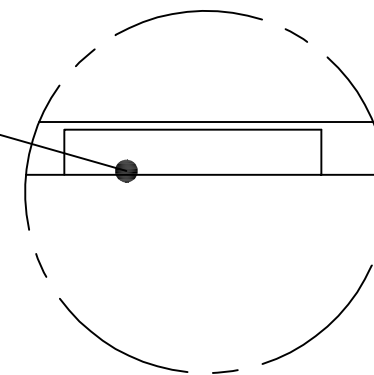


WM-025445

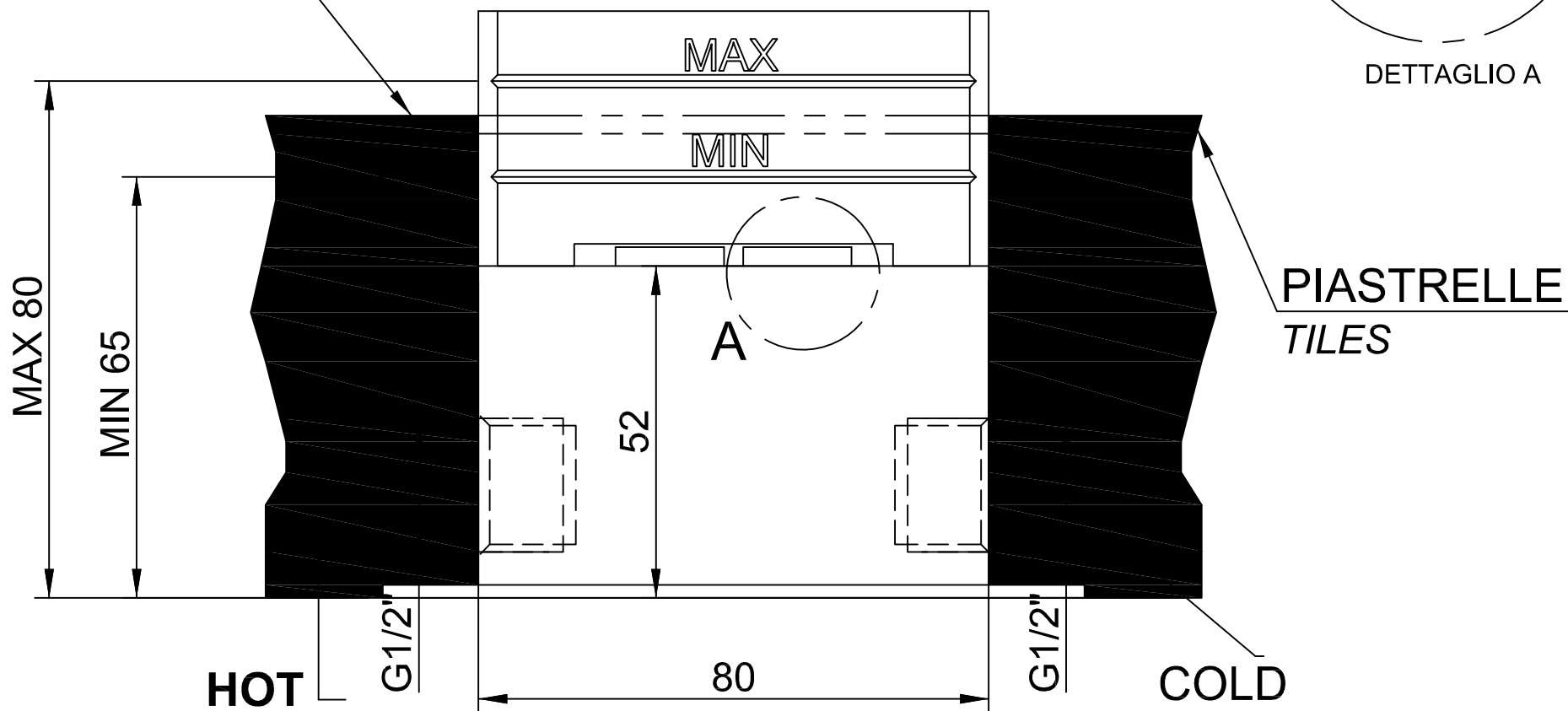
Pittella® ^{RUBINETTERIE} treemme

TAPPO PER TEST IMPIANTO
PLUG FOR TEST SYSTEM

RACCOMANDATO
RECOMMENDED



DETTAGLIO A



COPYRIGHT (C) PITTELLA PTY LTD ALL RIGHTS RESERVED

CODE ART. RWAU5703ZZ07_I01



WM-025445

Pittella® RUBINETTERIE
tremme